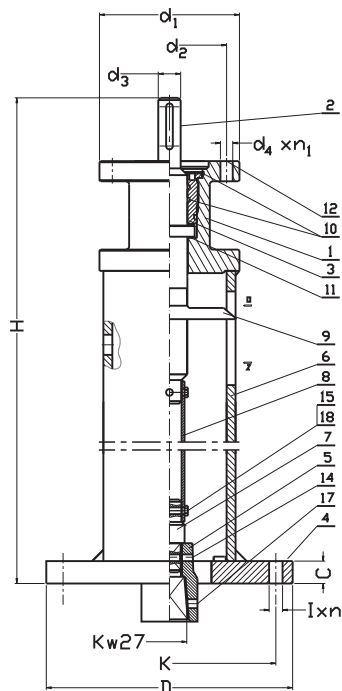


COLOANA DE MANEVRA PENTRU ACTIONARE ELECTRICA



Stand with opening indicator

No.	Reper, Part	Materiale, Materials
1	Suport mecanism	Fonta EN-GJL-250 EN 1561: 2000
2	Tija	Otel inoxidabil X20Cr13 EN 10088-1: 2007
3	Bucsa tije	Aliaj cupru CuZn39PbAl1-B EN 1982: 2008
4	Flansa	Fonta EN-GJL-250 EN 1561: 2000
5	Element cuplare	Fonta ductila EN-GJS-400-15 EN 1563: 2000
6	Coloana	Fonta ductila EN-GJS-400-15 EN 1563: 2000
7	Element fixare	Otel inoxidabil X20Cr13 EN 10088-1: 2007
8	Tija	Otel R45 PN-89/H-84023/07
9	Indicator pozitie	Aliaj cupru CuZn39PbAl1-B EN 1982: 20088
10	Inel tija	Otel 65G PN-74/H-84032
11	Saiba tije	Tarnamid T27 EN ISO 1874: 2004
12	Garnitura	Cauciuc EPDM ISO 1629: 2005
13	Mecanism actionare	Fonta EN-GJL-250 EN 1561: 2000
14	Element fixare	Otel St3S/Zn5 EN ISO 8752
15	Surub	Otel inoxidabil EN ISO 4014
16	Surub	Otel St3S/Zn5 EN ISO 4017
17	Bolt	Otel St3S/Zn5 EN ISO 1234
18	Piulita	Otel inoxidabil EN ISO 4032
19	Saiba	Otel St3S/Zn5 EN ISO 7093

DN	H	D	K	I	C	n	d ₁	d ₂	d ₃	d ₄	n ₁	
mm							-	mm				-
40	960	220	190	12	20	8	90	70	20	9	4	
50							125	102		11		
65												
80												
100	965	320	280	16	30	8	175	140	30	18		
125												
150												
200												
250	975	320	280	16	30	8	175	140	30	18		
300												
350												
400												
500	990	320	280	16	30	8	175	140	30	18		
600												

Caracteristici constructive:

Coloana din fonta ductila
Indicator de pozitie
Elementele din metal sunt protejate impotriva coroziei.
Executie standard:
vopsea epoxidica RAL5005 250 μm (*).

Domenii de utilizare:

La actionarea electrica a robinetelor cu serrar si a robinetelor de concesie montate ingropat.

Montaj:

Montajul se face in pozitie verticala, pe o structura rigida.

* - alte executii la cerere

Design features:

Column from nodular cast iron
Opening indicator
Metal parts are protected against corrosion
Standard execution:
epoxide paint RAL5005 250 μm (*).

Application:

Control valves and spotters assembled
Underground

Assembly:

*- other executions on request