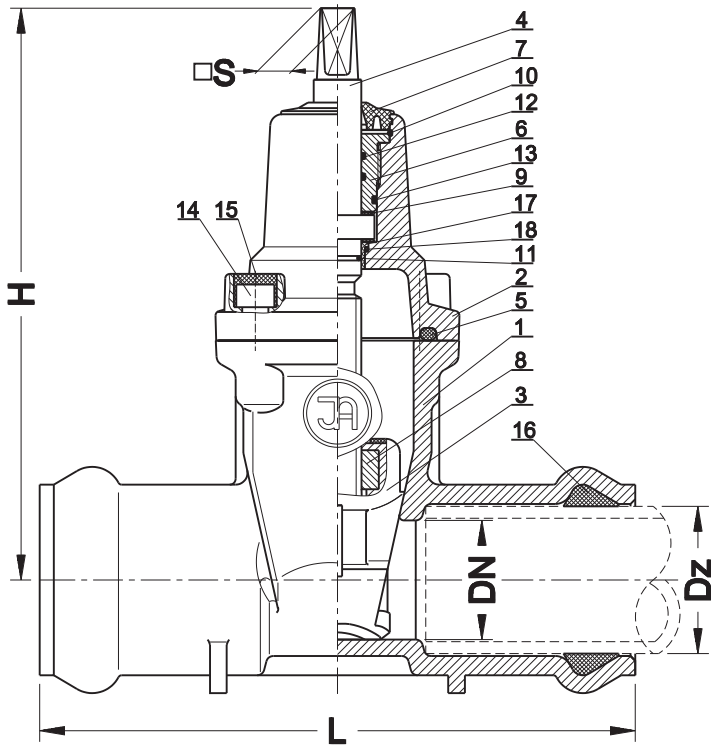


**Robinet cu sertar cauciucat,  
cu socket**
**Soft wedge gate valve  
with pipe socket**
**Weichkeilschieber  
mit Rohrmuffe**


| <b>Date tehnice:</b>  |               | <b>Technical data:</b>  |                 | <b>Technischedaten:</b>  |                |
|---|---------------|---|-----------------|--|----------------|
| Lungime de constructie  | conform desen | fitting length  | acc. to drawing | Bebaungslänge  | nach Zeichnung |
| Presiune maxima de lucru<br>Clasa de etansare - A   | PN 16         | Working pressure max.<br>Leakproofness class - A  | PN 16           | Arbeitsdruck max.<br>Dichtheitsklasse - A  | PN 16          |
| Temperatura maxima de lucru   | 70°C (120°C)  | Working temperature max.  | 70°C (120°C)    | Arbeittemperatur max.  | 70°C (120°C)   |
| <b>Caracteristici de constructie:</b>   |               | <b>Design features:</b>   |                 | <b>Baucharakteristik:</b>  |                |
| <p>Inelele de etansare ale tije (O-ring) pot fi schimbate fara a scoate robinetul din instalatie.<br/>Tija robinetului este din otel inoxidabil.<br/>Sertarul este acoperit in totalitate cu cauciuc; piulita tije poate fi inlocuita.</p> <p>Toate partile componente sunt protejate impotriva coroziunii.<br/>Executie standard : <b>PN16, 70°C, EPDM, vopsea epoxidica RAL5005 250 µm.</b></p> <p><b>Certificat CE</b><br/><b>Aviz sanitar emis de PZH</b></p> |               | <p>O-ring spindle's gaskets - "DRY THREAD" - replaceable under pressure.<br/>Stainless steel bearing spindle with rolling thread.<br/>Total sufrage rubbered wedge with replaceable spindle nut.</p> <p>All parts are protected against corrosion</p> <p>Standard execution: <b>PN16, 70°C, EPDM, epoxide paint RAL5005 250 µm.</b></p> <p><b>Certificate CE</b><br/><b>Hygienic atest by PZH</b></p> |                 | <p>O-Ring Spindeldichtung - "Trocken Gewinde" - mit Unterdruckwechselfähigkeit gemacht.<br/>Niro-Stahl lagere Spindel mit Walzengewinde.<br/>Keil mit Gummi ganz bedekt und auswechselbar Spindelmutter.</p> <p>Alle Teile sind gegen Korrosion schützen</p> <p>Standardausführung: <b>PN16, 70°C, EPDM, Epoxyemalie RAL5005 250 µm.</b></p> <p><b>Zertifikat CE</b><br/><b>Hygienische Attest PZH</b></p> |                |
| <b>Domenii de utilizare:</b>  |               | <b>Application:</b>   |                 | <b>Anwendung:</b>  |                |
| In instalatii de apa, apa potabila si alte fluide   |               | In instalations for water and other inert fluids to flow closing.   |                 | In Wasserlinien und andere neutrale Flüssigkeitenlinien zu Fluß verriegeln   |                |
| <b>Montaj:</b>  |               | <b>Assembly:</b>  |                 | <b>Aufstellung:</b>  |                |
| Montajul se face in pozitie orizontala sau verticala.   |               | Assembly in optional position.  |                 | Aufstellung im beliebig Position.  |                |



| No.   | Reper, Part, Teil  | Material  |
|-------|--|---|
| 1     | Corp,<br>Body,<br>Gehäuse                                      | EN-GJL-250, SR-EN 1561:2000<br>EN-GJS-400-15, SR-EN-1563:2000<br>GG25 - DIN 1691, GGG40 - DIN 1693              |
| 2     | Capac,<br>Bonnet,<br>Deckel                                    | EN-GJL-250, SR-EN 1561:2000<br>EN-GJS-400-15, SR-EN-1563:2000<br>GG25 - DIN 1691, GGG40 - DIN 1693              |
| 3     | Sertar,<br>Wedge,<br>Keil                                      | EN-GJL-250, SR-EN 1561:2000<br>EN-GJS-400-15, SR-EN-1563:2000<br>GG25 - DIN 1691, GGG40 - DIN 1693<br>EPDM/ NBR |
| 4     | Tija,<br>Spindle,<br>Spindel                                   | Otel inox X20Cr13<br>SR-EN 10088-1:1998<br>Steel, Stahl DIN 1.4021  |
| 5     | Garnitura corp-capac,<br>Bonnet gasket ,<br>Dichtung           | Cauciuc, Rubber, Gummi<br>EPDM/NBR  |
| 6     | Bucsa tija,<br>Packing cork,<br>Dichtungkork                   | Aliaj cupru SR-EN 1982:2002,<br>brass, Messing DIN 17660  |
| 7     | Garnitura antipraf,<br>Clean gasket,<br>Putzendichtung         | Cauciuc, Rubber, Gummi<br>EPDM/NBR  |
| 8     | Piulita tijej,<br>Spindle nut,<br>Spindelmutter                | Aliaj cupru SR-EN 1982:2002,<br>brass, Messing DIN 17660  |
| 9     | Saiba tija,<br>Spindle washer,<br>Spindelscheibe               | Teflon (Tarflen)  |
| 10    | Inel opritor,<br>Stopper ring,<br>Sicherungring                | Otel, Steel, Stahl<br>65G   |
| 11-13 | Inel etansare,<br>Seal O-Ring ,<br>Dicht-O-Ring                | Guma, Rubber, Gummi<br>EPDM/NBR   |
| 14    | Organe asamblare ,<br>Screw ,<br>Schraube                      | Otel Fe/Zn5, otel zincat<br>SR-EN ISO 4762:2001   |
| 15    | Protectie organe<br>asamblare,<br>Screw stopper,<br>Garnitura, | Parafina<br>Paraffin  |
| 16    | Gasket ,<br>Dichtung   | Cauciuc, Rubber, Gummi<br>EPDM, NBR   |
| 17    | Saiba tija,<br>Spindle sleeve,<br>Spindelhulse                 | Teflon (Tarflen)  |
| 18    | Inel etansare (O-ring),<br>Seal O-Ring,<br>Dicht-O-Ring        | Cauciuc, Rubber, Gummi<br>EPDM/NBR  |

| DN   | D <sub>2</sub> | L   | H   | □ S | Masa |
|------|----------------|-----|-----|-----|------|
| [mm] |                |     |     |     | [kg] |
| 50   | 63             | 250 | 240 | 14  | 8,2  |
| 80   | 90             | 280 | 307 | 17  | 14,3 |
| 100  | 110            | 300 | 349 | 19  | 22,3 |
| 150  | 160            | 350 | 475 | 19  | 38,1 |
| 200  | 225            | 400 | 534 | 24  | 67,5 |