

**Robinet de concesie
pentru tevi din PE si PVC**

**Spotter
for PE and PVC pipe**

**Anbohrschelle
fuer PE und PVC Rohr**



Date tehnice:

Lungime de constructie conform desen
Filet conform PN-ISO 7-1:1995
Presiune maxima de lucru PN16
Temperatura maxima de lucru 70°C

Technical data:

face to face lenght acc. to drawing
thread connections acc. PN-ISO 7-1:1995
working pressure PN16
medium temperature up to 70°C

Technische Daten:

Baulaenge der Tabelle gemaess
Gewindemuffeanschlussen PN-ISO 7-1:1995
max. Betriebsdruck PN16
max. Betriebstemperatur bis 70°C

Caracteristici constructive:

Garnitura din cauciuc pe toata suprafata clemei.
Burghiu din inox cu diametrul de 38 mm.
Gaurirea conductei se face fara a opri apa.
Toate partile componente sunt protejate impotriva
coroziei.
Executie standard: **PN16, 70°C, EPDM,
vopsea epoxidica RAL5005 250 µm**

Aviz sanitar emis de PZH

Design features:

Rubber gasket on all clamp suface.
Elongated stainless steel drill diameter 38mm.
Drilling without stop the flow in pipeline.
All parts are protected against corrosion.
Standard execution: **PN16, 70°C, EPDM,
epoxide paint RAL5005 250 µm.**

Hygienic attest by PZH

Ausfuehrung:

Gummibelag auf allem Schellekreis.
Verlaengernbohr aus Niro-Stahl Diameter 38mm.
Anbohrung ohne Absperrung des Durchflusses.
Alle Teile sind gegen Korrosion geschuetzt.
Standardausfuehrung: **PN16, 70°C, EPDM,
Epoxyemallfarbe RAL5005 250 µm**

Hygienische Atest PZH

Domenii de utilizare:

In instalatiile de apa potabila, pe tevi din PVC si PE.

Application:

PVC and PE water lines for potable water and other
neutral fluids

Anwendung:

Fuer Trinkwasserinstallationen und andere neutrale
Fluessigkeiten aus PVC und PE Rohr gemacht

Montaj:

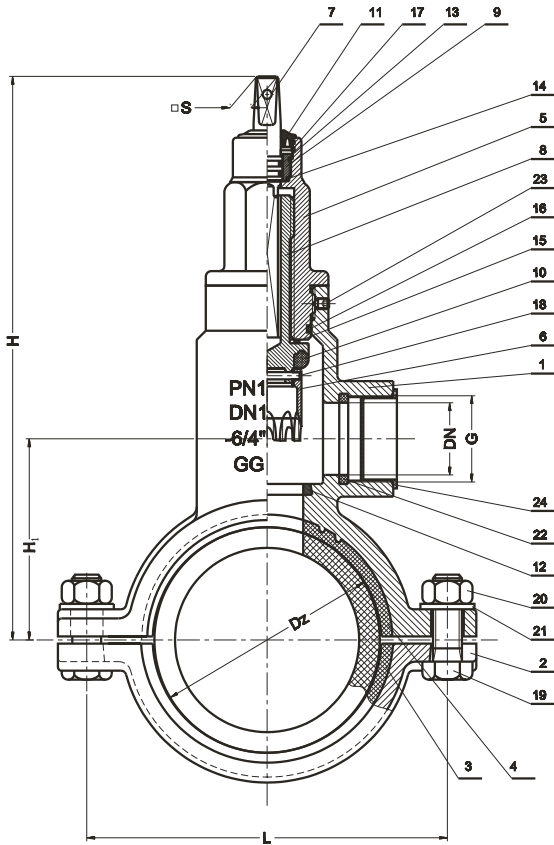
Robinetul poate fi montat in pozitie orizontala sau
verticala

Assembly:

Valve can be assembled on pipe line in
horizontal or vertical position

Montage:

Kann in horizontalen oder vertikalen Position
installiert werden



No.	Reper, Part, Teil	Material
1	Corp, Body, Gehäuse	EN-GJL-250, SR-EN 1561:2000 EN-GJS-400-15, SR-EN-1563:2000 GG25 - DIN 1691, GGG40 - DIN 1693
2	Inel cuplare, Clamping ring, Bügel	EN-GJL-250, SR-EN 1561:2000 EN-GJS-400-15, SR-EN-1563:2000 GG25 - DIN 1691, GGG40 - DIN 1693
3	Garnitura, Gasket, Dichtung	Cauciuc, Rubber, Gummi EPDM/ NBR
4	Garnitura, Gasket, Dichtung	Cauciuc, Rubber, Gummi EPDM/ NBR
5	Capac, Head, Kopf	EN-GJL-250, SR-EN 1561:2000 GG25 - DIN 1691,
6	Burghiu special, Pin-cutting drill, Hohlbohrer	Otel inoxidabil, steel, Stahl 1H18N10T SR-EN 10088-1:1998 PN-85/- H74242
7	Tija, Spindle, Spindel	Otel inoxidabil X20Cr13 SR-EN 10088-1:1998 Steel, Stahl DIN 1.4021
8	Conector, Connector, Konnektor	Aliaj cupru SR-EN 1982:2002 brass, Messig DIN 17660
9	Piulita tija, Screw plug, Gewindestopfer	Aliaj cupru SR-EN 1982:2002 brass, Messig DIN 17660
10	Garnitura, Gasket, Dichtung	Cauciuc, Rubber, Gummi EPDM/ NBR
11	Garnitura antipraf Clean gasket, Putzendichtung	Cauciuc, Rubber, Gummi EPDM/ NBR
12	Inel corp, Body ring, Messigring	Aliaj cupru SR-EN 1982:2002 brass, Messig DIN 17660
13	O-ring, Seal O-Ring, Dicht-O-Ring	Cauciuc, Rubber, Gummi EPDM/ NBR
14	O-ring, Seal O-Ring, Dicht-O-Ring	Cauciuc, Rubber, Gummi EPDM/ NBR
15	O-ring, Seal O-Ring, Dicht-O-Ring	Cauciuc, Rubber, Gummi EPDM/ NBR
16	O-ring, Seal O-Ring, Dicht-O-Ring	Cauciuc, Rubber, Gummi EPDM/ NBR
17	Inel opritor, Stopper ring, Sicherungsring	Otel, steel, Stahl 65G PN-74/H-84032 DIN 7
18	Bolt, Pin, Finger	Otel, steel, Stahl 65G PN-74/H-84032 PN-EN ISO 2338:2002
19	Surub, Screw, Schraube	Otel, PN-EN ISO 4016:2002 DIN 931
20	Piulita, Nut, Mutter	Otel, PN-EN ISO 4032:2002 DIN 934
21	Saiba, Washer, Unterlage	Otel, PN-EN ISO 7091:2002 DIN 126
22	Garnitura, Gasket, Dichtung	Guma, Rubber, Gummi EPDM/ NBR
23	Surub, Set screw, Schraube	Otel, PN-84/M-82315 DIN914
24	Capac protectie, Stopper, Blende	Polipropilena Polypropylene

DN	G	D _z	H ₁	H	L	Masa	S
[mm]		[mm]				[kg]	[mm]
25	1"	50	71	274	127	6,0	12
		63	77	280	132	6,4	
		75	82	285	144	6,8	
		90	90	293	160	7,5	
		110	100	303	180	8,0	
		125	112	315	200	8,4	
		140	116	320	205	8,5	
		160	126	330	225	10,9	
		200	145	348	274	11,9	
225	158	360	300	12,8			
32	5/4"	50	71	274	127	6,1	12
		63	77	280	132	6,5	
		75	82	285	144	6,9	
		90	90	293	160	7,6	
		110	100	303	180	8,1	
		125	112	315	200	8,5	
		140	116	320	205	8,6	
		160	126	330	225	11,0	
		200	145	348	274	12,0	
225	158	360	300	12,9			
40	6/4"	50	71	274	127	6,2	12
		63	77	280	132	6,6	
		75	82	285	144	7,0	
		90	90	293	160	7,7	
		110	100	303	180	8,2	
		125	112	315	200	8,6	
		140	116	320	205	8,7	
		160	126	330	225	11,1	
		200	145	348	274	12,1	
225	158	360	300	13,0			
50	2"	63	77	280	132	6,8	12
		75	82	285	144	7,1	
		90	90	293	160	7,9	
		110	100	303	180	8,4	
		125	112	315	200	8,8	
		140	116	320	205	8,9	
		160	126	330	225	11,3	
		200	145	348	274	12,3	
		225	158	360	300	13,2	